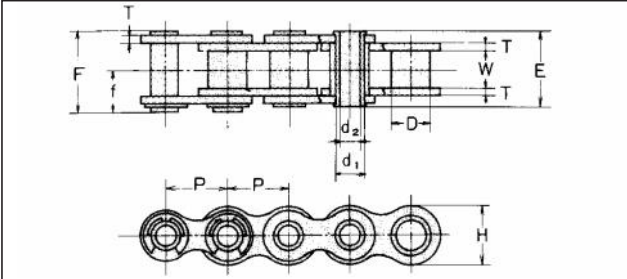


Small Conveyor Chains **Hollow Pin Chain**

● Single pitch chain



This chain is connected by hollow pins, and the hollows can be used to attach various attachments. In hollow pin chain, the hollow pins are the same as the bushings of the corresponding standard chain in diameter, so hollow pin chain can be regarded as bushing chain that contains bushings of the same diameter as that of the rollers of the corresponding standard chain.

Standard sprockets can be used.

For design of chain transmission, refer to the slow-speed selection on P121.

The connecting links are special snap ring types for hollow pin chain as illustrated.

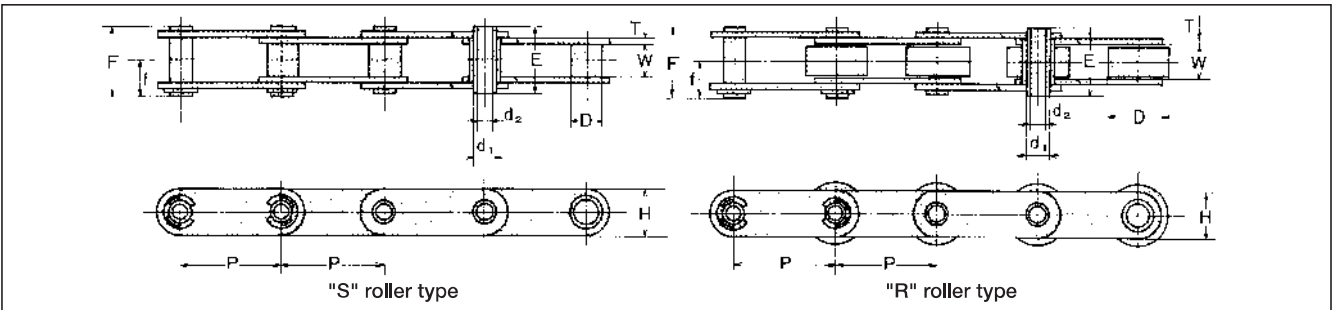
Since no offset link is available, the number of links should be an even number.

Unit (mm)

Chain No.	Pitch P	Roller link width W	Roller (bush) dia. D	Pin					Plate		Avg. tensile strength		Max. allowable load		Approx. weight (kg/m)
				d₁	d₂	E	F	f	T	H	kN	kgf	kN	kgf	
DID 40HP	12.70	7.95	7.92	5.62	4.00	16.0	17.5	9.5	1.5	12.0	10.7	1,000	1.76	180	0.52
DID 50HP	15.875	9.53	10.16	7.20	5.12	20.2	21.7	11.6	2.0	15.0	19.6	2,000	3.13	320	0.86
DID 60HP	19.05	12.70	11.91	8.45	5.99	25.1	26.8	14.3	2.4	18.1	26.4	2,700	4.31	440	1.20

Note: The values of average tensile strength and maximum allowable load are for chains.

● Double pitch chain



Unit (mm)

Chain No.	Pitch P	Roller link width W	Roller (bush) dia. D	Pin					Plate		Avg. tensile strength		Max. allowable load		Approx. weight (kg/m)
				d₁	d₂	E	F	f	T	H	kN	kgf	kN	kgf	
DID C2040HP	25.40	7.95	7.92	5.62	4.00	16.0	17.5	9.5	1.5	11.7	10.7	1,100	1.76	180	0.44
DID C2042HP			15.88												0.81
DID C2050HP	31.75	9.53	10.16	7.20	5.12	20.2	21.7	11.6	2.0	15.1	19.6	2,000	3.13	320	0.75
DID C2052HP			19.05												1.21
DID C2060HP	38.10	12.70	11.91	8.45	5.99	25.1	26.8	14.3	2.4	17.2	26.4	2,700	4.21	430	1.32
DID C2062HP			22.23												2.79
DID C2080HP	50.80	15.88	15.88	11.30	8.02	32.5	34.1	17.8	3.2	23.3	48.0	4,900	7.65	780	1.72
DID C2082HP			28.58												2.67

Note: The values of average tensile strength and maximum allowable load are for chains.

Chain No. - Hollow Pin Chain Series (Single Pitch)

Standard	Rustless	Double guard
DID 40HP	DID 40HPN	DID 40HPWG
DID 50HP	DID 50HPN	DID 50HPWG
DID 60HP	DID 60HPN	DID 60HPWG

(Double Pitch)

Standard	Rustless	Double guard
DID C2040HP	DID C2040HPN	DID C2040HPWG
DID C2042HP	DID C2042HPN	DID C2042HPWG
DID C2050HP	DID C2050HPN	DID C2050HPWG
DID C2052HP	DID C2052HPN	DID C2052HPWG
DID C2060HP	DID C2060HPN	DID C2060HPWG
DID C2062HP	DID C2062HPN	DID C2062HPWG
DID C2080HP	DID C2080HPN	DID C2080HPWG
DID C2082HP	DID C2082HPN	DID C2082HPWG